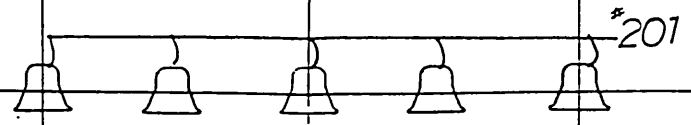


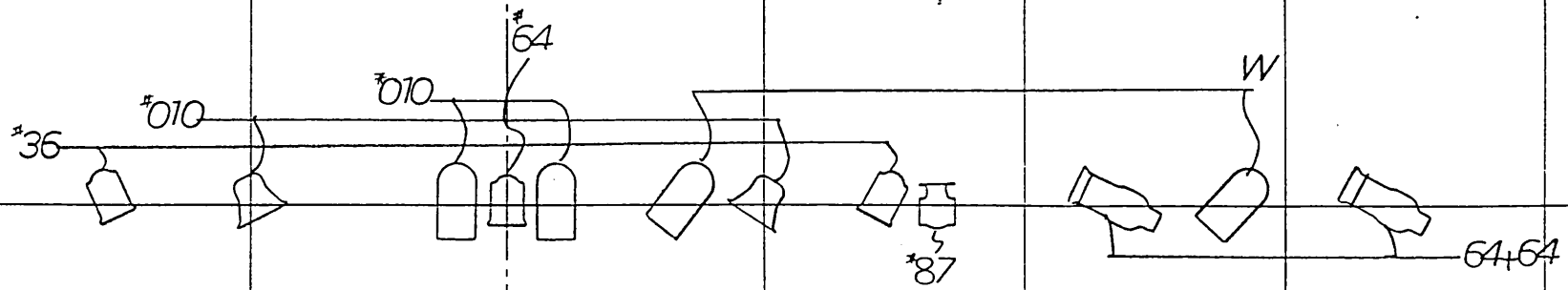
5 4 3 2 1 C 1 2 3 4 5

5SL
[20]



#		1kw Stag Beam	x8
		" PAR(N)	x8
		" 5C	x6
		" 7C	x17
		" FLU	x12
		500W FQ	x7
#		1.5KW FQ	x8

1SL
[36]



3SL
[36]

